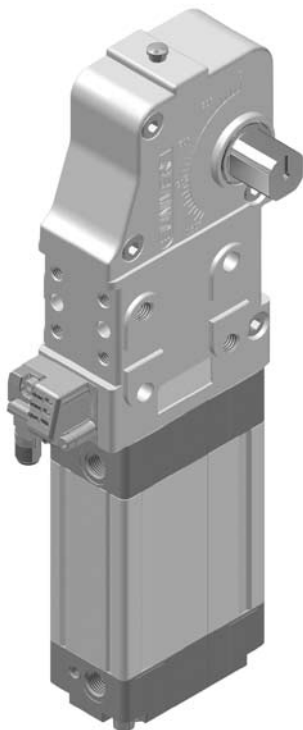




UNP Series Pneumatic Power Clamp



Features

- Conforms to NAAMS Standards
- Blade and foot mounting
- Fully adjustable opening angle
- Opening angle can be set with or without air pressure
- Unique linkage design ensures positional repeatability
- Linear and rotary motion guided by roller bearings
- Remains locked in closed position even when air pressure is removed
- Pneumatic ports on both sides of the cylinder
- Manual release button to open mechanism when air pressure is removed
- Unique “programmable” all metal sensor with M12 swivel connector

General Specifications

Weight:

UNP50: 3.2 Kg (7.1 lbs)

UNP63: 3.6 Kg (7.9 lbs)

UNP80: 11.5 Kg (25.4 lbs)

Operating Pressure:

Minimum: 2.75 Bar (40 PSI)

Maximum: 8 Bar (115 PSI)

Operating Temperature: 5° to 45° C (40° to 113°F)

Class Protection: IP65

Opening Angles:

UNP40: Fully adjustable from 0° to 125°

UNP50, 63, 80: Fully adjustable from 0° to 135°

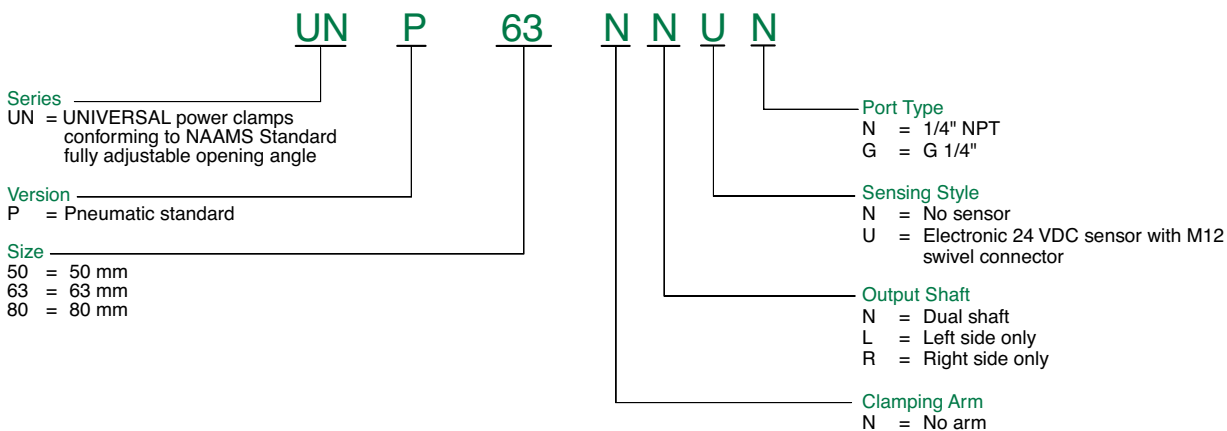
Holding Capacity:

UNP50: 1250 Nm (11063 in-lbs)

UNP63: 1750 Nm (15488 in-lbs)

UNP80: 4000 Nm (35402 in-lbs)

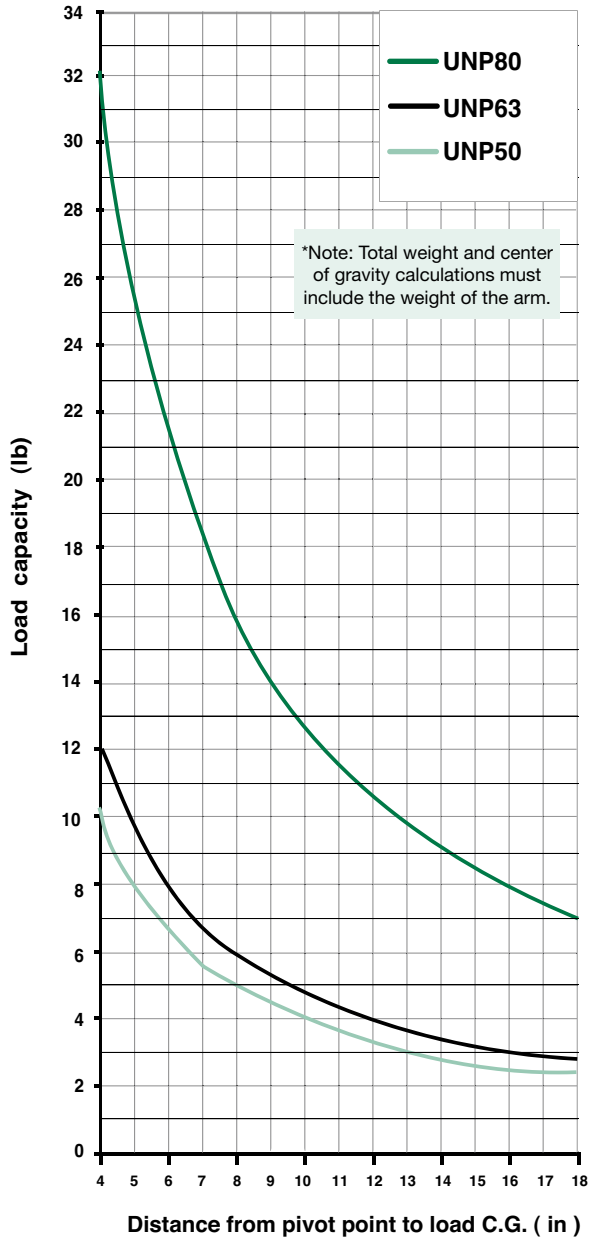
How to Order



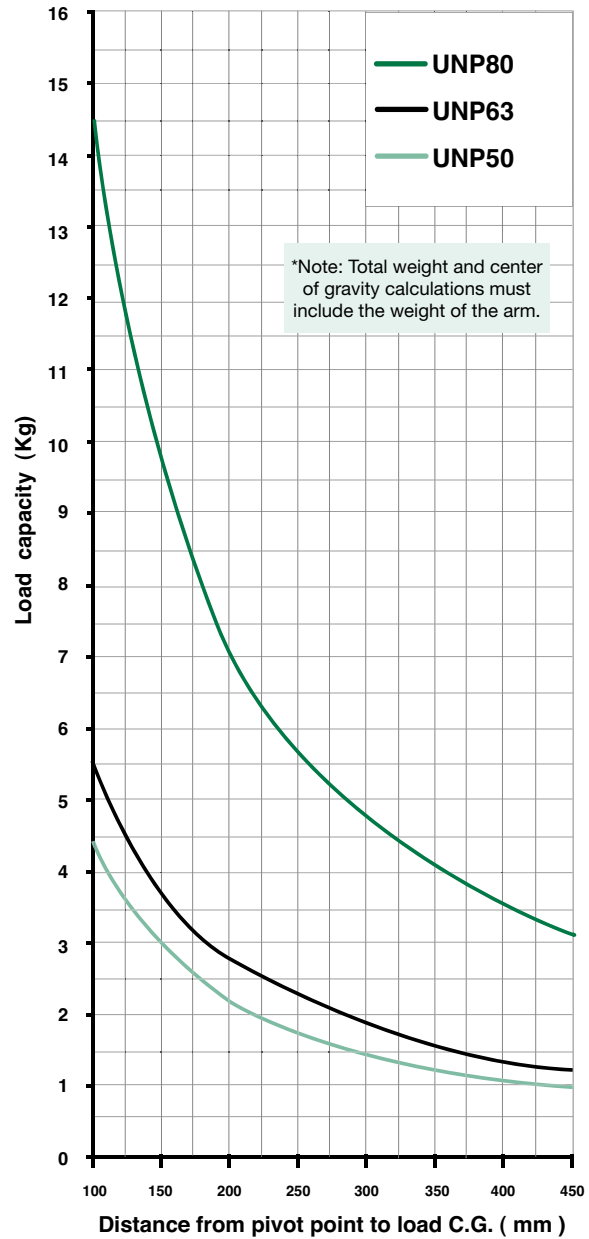


Maximum Applicable Load

English
operating pressure : 60 PSI



Metric
operating pressure : 4 bar

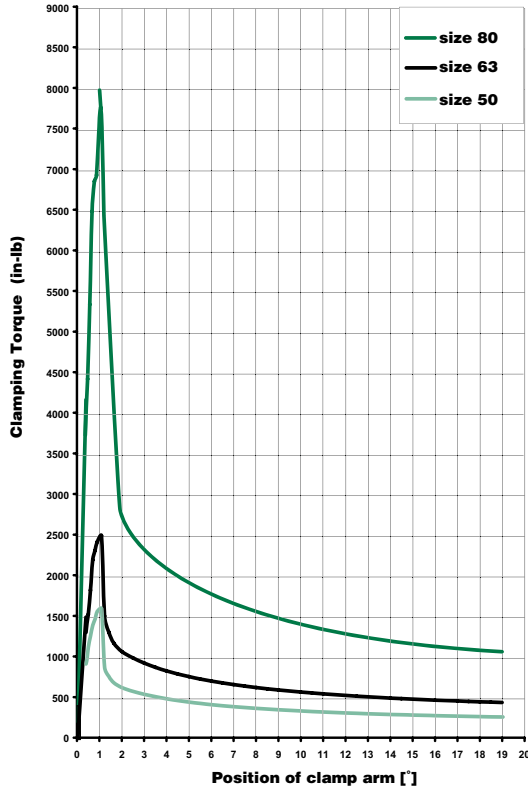




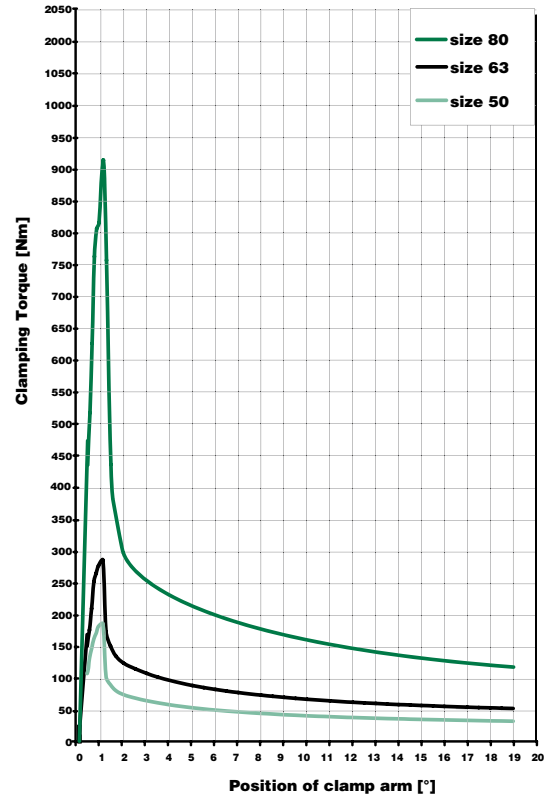
UNP Series Pneumatic Power Clamp

Maximum Clamping Torque

English
operating pressure : 60 PSI

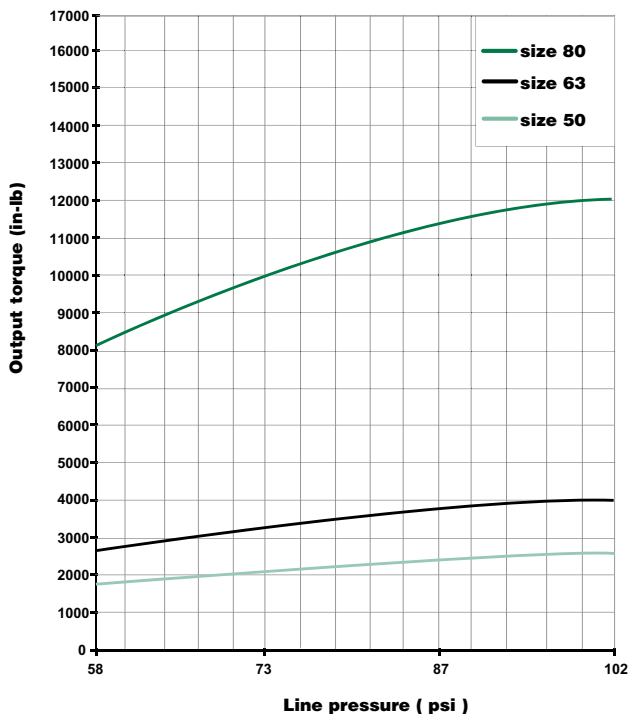


Metric
operating pressure : 4 bar

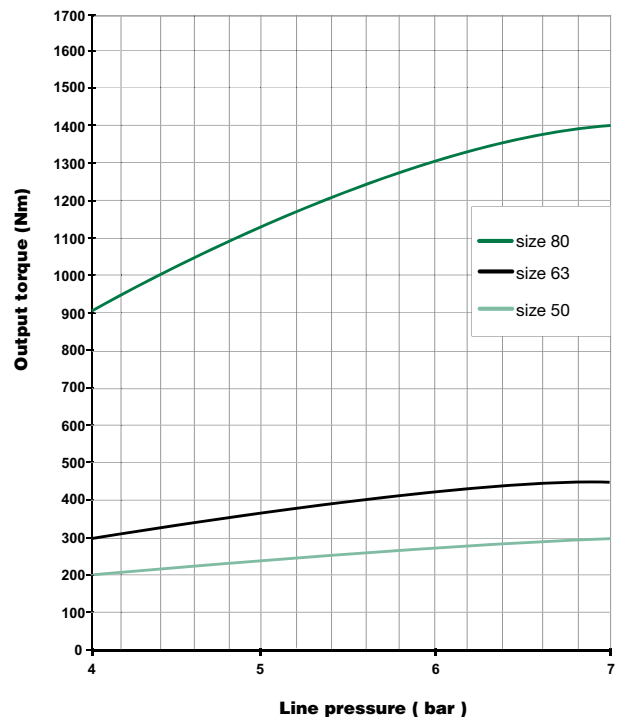


Maximum Output Torque

English

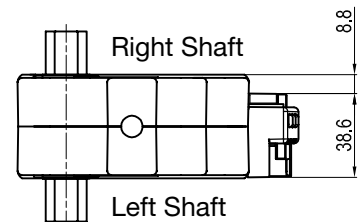
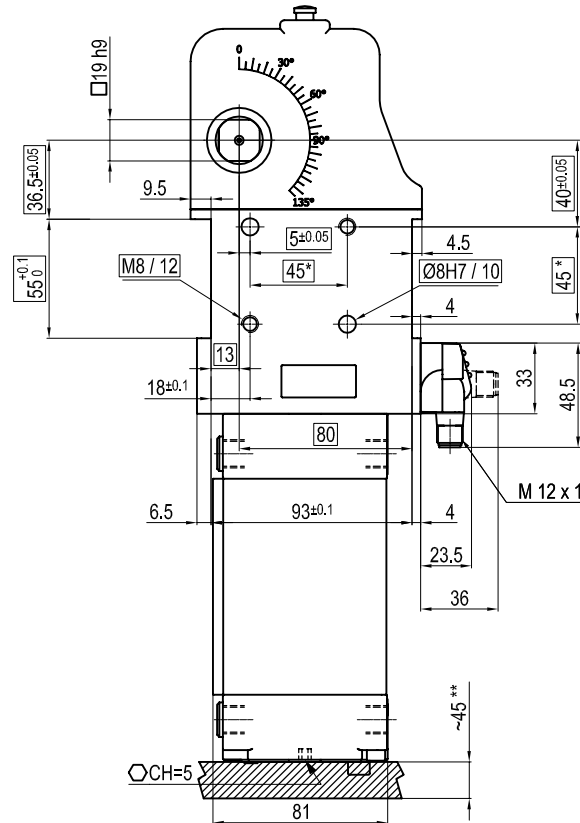
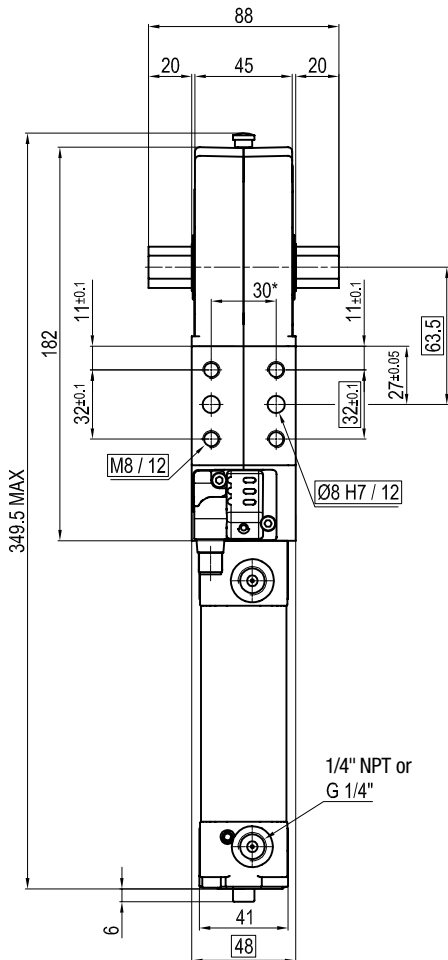


Metric





UNP50N_U Pneumatic Power Clamp

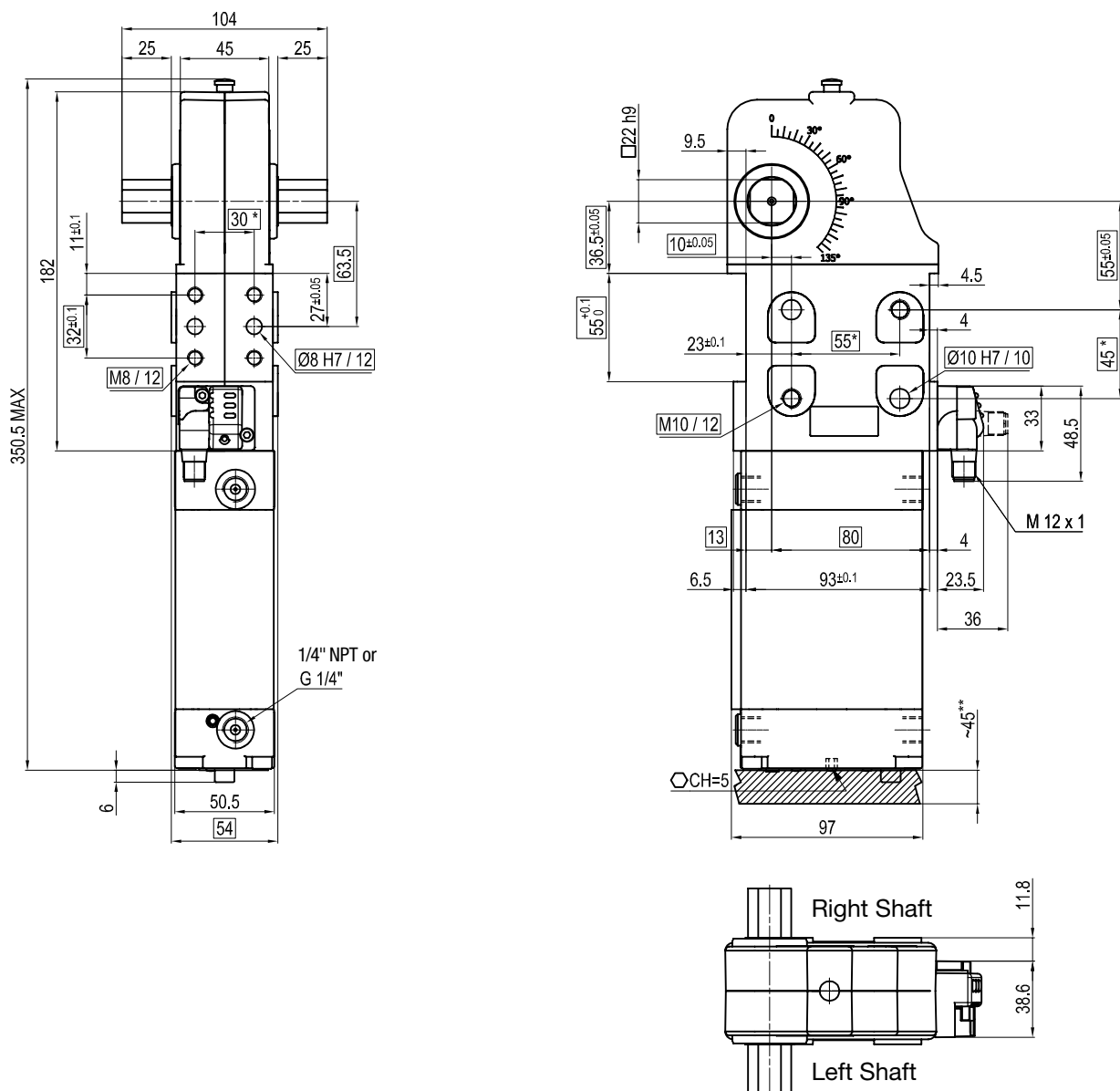


* : TOLERANCE BETWEEN DOWEL HOLES ± 0.02 , TO SCREW HOLES ± 0.1
 ** : AREA TO ACCESS ANGLE ADJUSTMENT



UNP Series Pneumatic Power Clamp

UNP63N_U Pneumatic Power Clamp

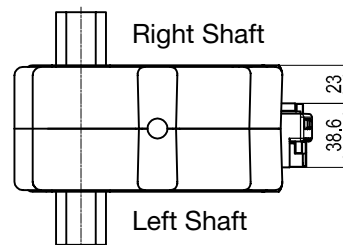
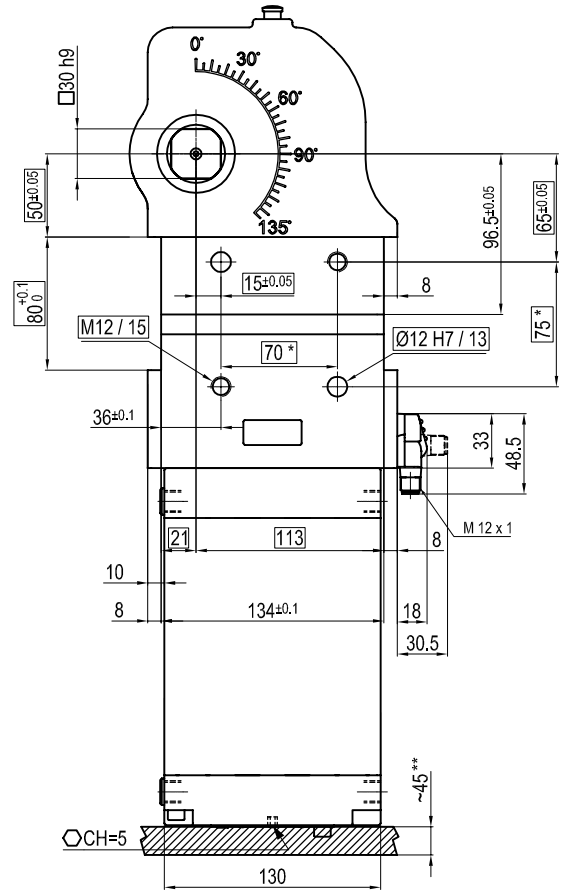
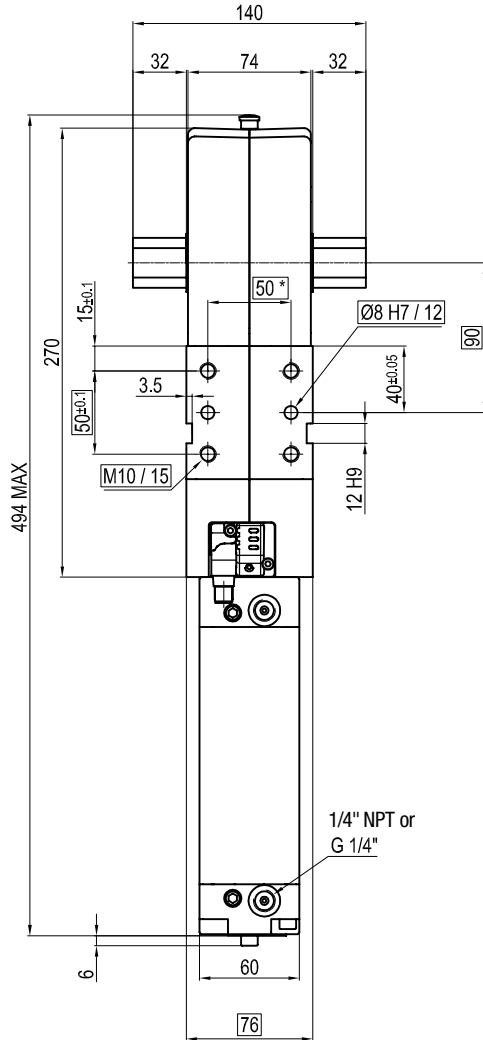


* : TOLERANCE BETWEEN DOWEL HOLES ± 0.02, TO SCREW HOLES ± 0.1

** : AREA TO ACCESS ANGLE ADJUSTMENT



UNP80N_U Pneumatic Power Clamp



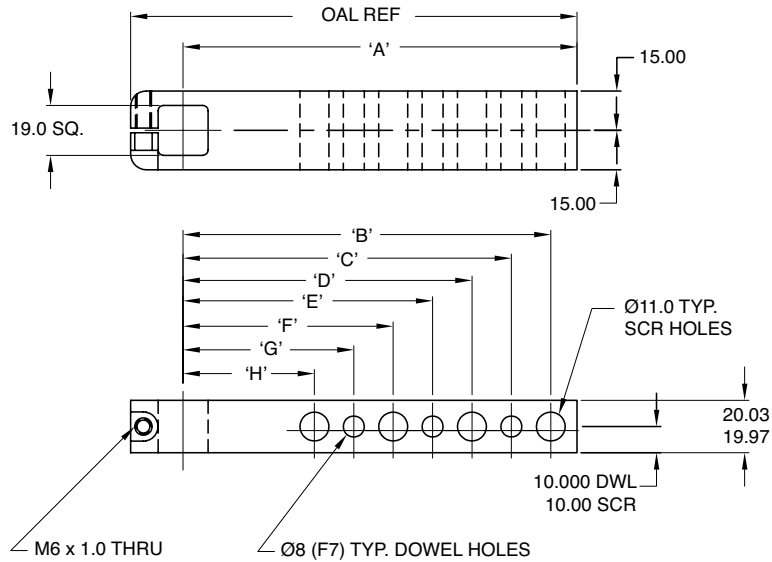
* : TOLERANCE BETWEEN DOWEL HOLES ± 0.02 , TO SCREW HOLES ± 0.1

** : AREA TO ACCESS ANGLE ADJUSTMENT



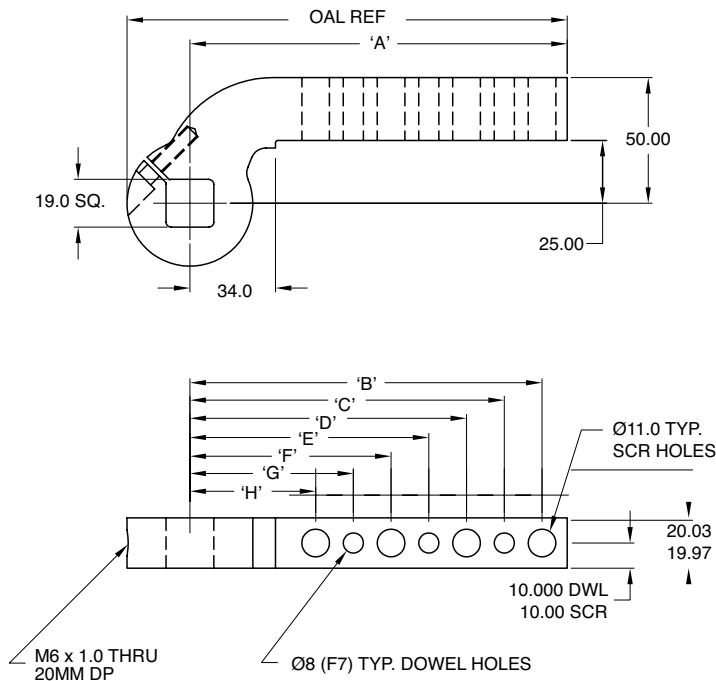
UNP Series Pneumatic Power Clamp

UNP50 - NAAMS Arm - Straight



PART NO.	NAAMS CODE	DIM 'A' +1.5/-0	DIM 'B'	DIM 'C'	DIM 'D'	DIM 'E'	DIM 'F'	DIM 'G'	DIM 'H'	OAL (REF)	WEIGHT Kg (lbs)
N206M	ACA206M	90.0	80.00	65.00	50.00					110.0	0.4 (0.9)
N207M	ACA207M	120.0	110.00	95.00	80.00	65.00	50.00			140.0	0.5 (1.1)
N208M	ACA208M	150.0	140.00	125.00	110.00	95.00	80.00	65.00	50.00	170.0	0.6 (1.3)

UNP50 - NAAMS Arm - 25mm Offset

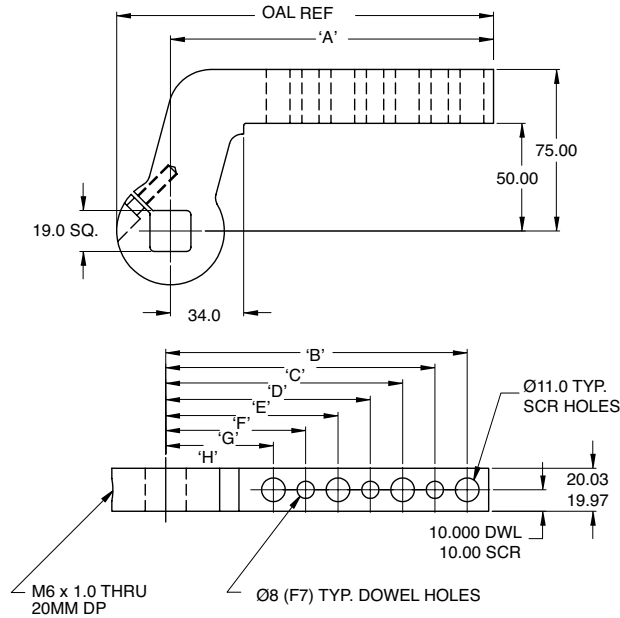


PART NO.	NAAMS CODE	DIM 'A' +1.5/-0	DIM 'B'	DIM 'C'	DIM 'D'	DIM 'E'	DIM 'F'	DIM 'G'	DIM 'H'	OAL (REF)	WEIGHT Kg (lbs)
N216M	ACA216M	90.0	80.00	65.00	50.00					110.0	0.5 (1.1)
N217M	ACA217M	120.0	110.00	95.00	80.00	65.00	50.00			140.0	0.6 (1.3)
N218M	ACA218M	150.0	140.00	125.00	110.00	95.00	80.00	65.00	50.00	170.0	0.7 (1.5)



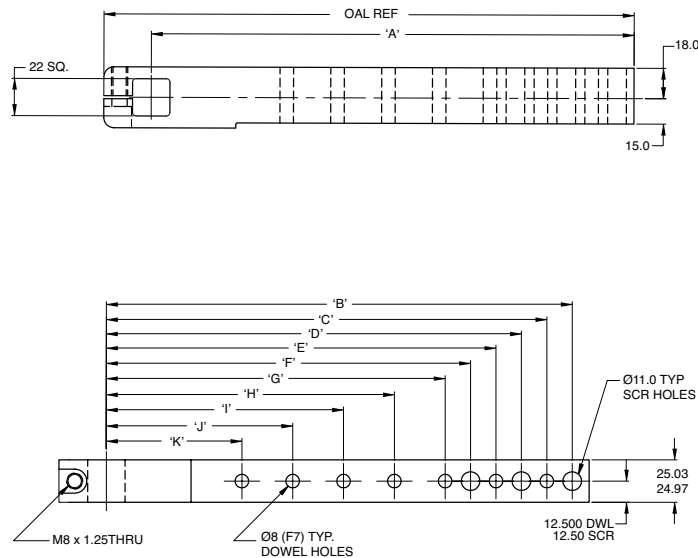
UNP Series Pneumatic Power Clamp

UNP50 - NAAMS Arm - 50mm Offset



PART NO.	NAAMS CODE	DIM 'A' +1.5/-0	DIM 'B'	DIM 'C'	DIM 'D'	DIM 'E'	DIM 'F'	DIM 'G'	DIM 'H'	OAL (REF)	WEIGHT Kg (lbs)
N226M	ACA226M	90.0	80.00	65.00	50.00					110.0	0.6 (1.3)
N227M	ACA227M	120.0	110.00	95.00	80.00	65.00	50.00			140.0	0.7 (1.5)
N228M	ACA228M	150.0	140.00	125.00	110.00	95.00	80.00	65.00	50.00	170.0	0.8 (1.7)

UNP63 - NAAMS Arm - Straight

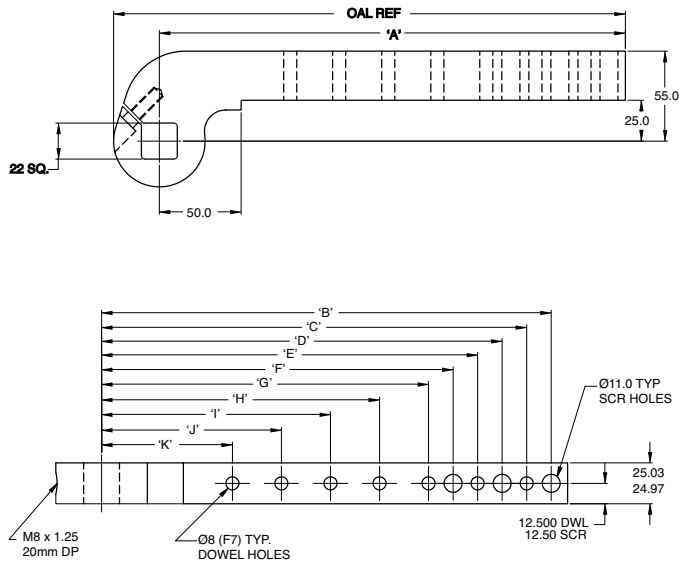


PART NO.	NAAMS CODE	DIM 'A' +1.5/-0	DIM 'B'	DIM 'C'	DIM 'D'	DIM 'E'	DIM 'F'	DIM 'G'	DIM 'H'	DIM 'I'	DIM 'J'	DIM 'K'	OAL (REF)	WEIGHT Kg (lbs)
N007M	ACA007M	135.0	125.00	110.00	95.00	80.00	65.00						163.0	1.2 (2.6)
N008M	ACA008M	165.0	155.00	140.00	125.00	110.00	95.00	80.00					193.0	1.4 (3.0)
N009M	ACA009M	195.0	185.00	170.00	155.00	140.00	125.00	110.00	80.00				223.0	1.6 (3.5)
N010M	ACA010M	225.0	215.00	200.00	185.00	170.00	155.00	140.00	110.00	80.00			253.0	1.9 (4.2)
N011M	ACA011M	255.0	245.00	230.00	215.00	200.00	185.00	170.00	140.00	110.00	80.00		283.0	2.1 (4.6)
N012M	ACA012M	285.0	275.00	260.00	245.00	230.00	215.00	200.00	170.00	140.00	110.00	80.00	313.0	2.3 (5.0)



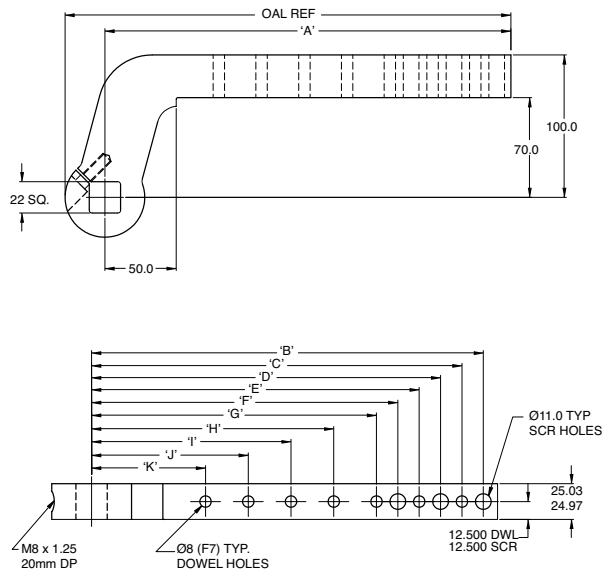
UNP Series Pneumatic Power Clamp

UNP63 - NAAMS Arm - 25mm Offset



PART NO.	NAAMS CODE	DIM 'A' +1.5/-0	DIM 'B'	DIM 'C'	DIM 'D'	DIM 'E'	DIM 'F'	DIM 'G'	DIM 'H'	DIM 'I'	DIM 'J'	DIM 'K'	OAL (REF)	WEIGHT Kg (lbs)
N019M	ACA019M	135.0	125.00	110.00	95.00	80.00	65.00						163.0	1.1 (2.4)
N020M	ACA020M	165.0	155.00	140.00	125.00	110.00	95.00	80.00					193.0	1.3 (2.8)
N021M	ACA021M	195.0	185.00	170.00	155.00	140.00	125.00	110.00	80.00				223.0	1.4 (3.0)
N022M	ACA022M	225.0	215.00	200.00	185.00	170.00	155.00	140.00	110.00	80.00			253.0	1.5 (3.3)
N023M	ACA023M	255.0	245.00	230.00	215.00	200.00	185.00	170.00	140.00	110.00	80.00		283.0	1.6 (3.5)
N024M	ACA024M	285.0	275.00	260.00	245.00	230.00	215.00	200.00	170.00	140.00	110.00	80.00	313.0	1.9 (4.2)

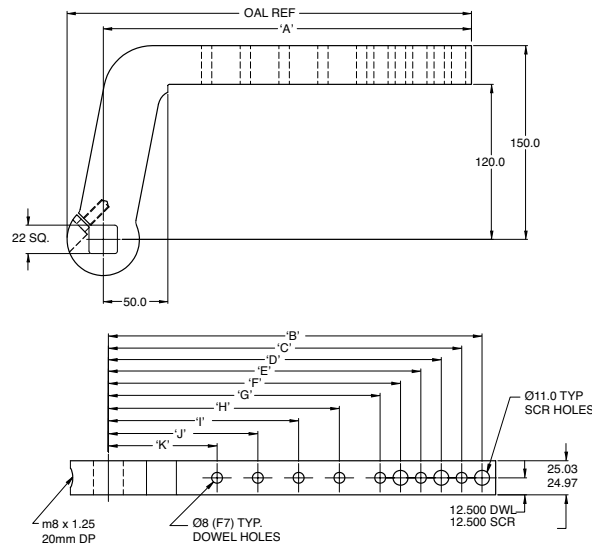
UNP63 - NAAMS Arm - 70mm Offset



PART NO.	NAAMS CODE	DIM 'A' +1.5/-0	DIM 'B'	DIM 'C'	DIM 'D'	DIM 'E'	DIM 'F'	DIM 'G'	DIM 'H'	DIM 'I'	DIM 'J'	DIM 'K'	OAL (REF)	WEIGHT Kg (lbs)
N031M	ACA031M	135.0	125.00	110.00	95.00	80.00	65.00						163.0	1.5 (3.3)
N032M	ACA032M	165.0	155.00	140.00	125.00	110.00	95.00	80.00					193.0	1.7 (3.7)
N033M	ACA033M	195.0	185.00	170.00	155.00	140.00	125.00	110.00	80.00				223.0	1.7 (3.7)
N034M	ACA034M	225.0	215.00	200.00	185.00	170.00	155.00	140.00	110.00	80.00			253.0	1.9 (4.2)
N035M	ACA035M	255.0	245.00	230.00	215.00	200.00	185.00	170.00	140.00	110.00	80.00		283.0	2.0 (4.4)
N036M	ACA036M	285.0	275.00	260.00	245.00	230.00	215.00	200.00	170.00	140.00	110.00	80.00	313.0	2.2 (4.8)

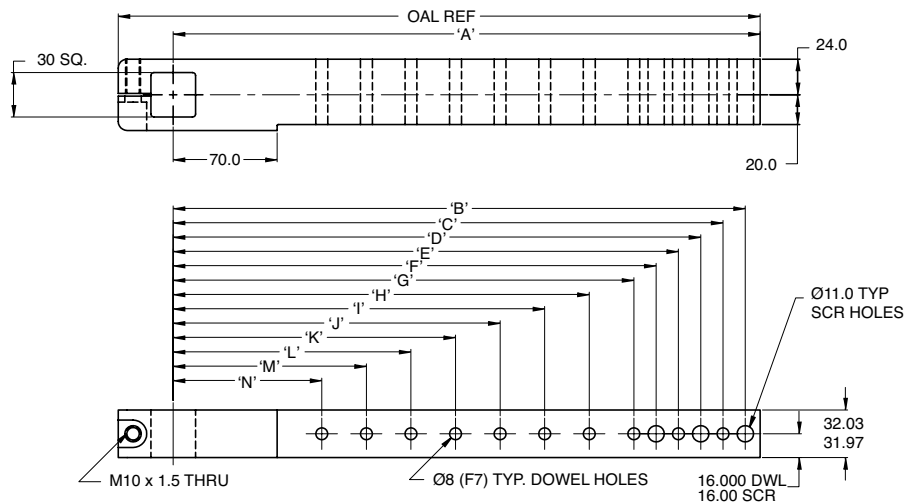


UNP63 - NAAMS Arm - 120mm Offset



PART NO.	NAAMS CODE	DIM 'A' +1.5/-0	DIM 'B'	DIM 'C'	DIM 'D'	DIM 'E'	DIM 'F'	DIM 'G'	DIM 'H'	DIM 'I'	DIM 'J'	DIM 'K'	OAL (REF)	WEIGHT Kg (lbs)
N043M	ACA043M	135.0	125.00	110.00	95.00	80.00	65.00						163.0	1.9 (4.2)
N044M	ACA044M	165.0	155.00	140.00	125.00	110.00	95.00	80.00					193.0	2.0 (4.4)
N045M	ACA045M	195.0	185.00	170.00	155.00	140.00	125.00	110.00	80.00				223.0	2.1 (4.6)
N046M	ACA046M	225.0	215.00	200.00	185.00	170.00	155.00	140.00	110.00	80.00			253.0	2.2 (4.8)
N047M	ACA047M	255.0	245.00	230.00	215.00	200.00	185.00	170.00	140.00	110.00	80.00		283.0	2.4 (5.3)
N048M	ACA048M	285.0	275.00	260.00	245.00	230.00	215.00	200.00	170.00	140.00	110.00	80.00	313.0	2.6 (5.7)

UNP80 - NAAMS Arm - Straight

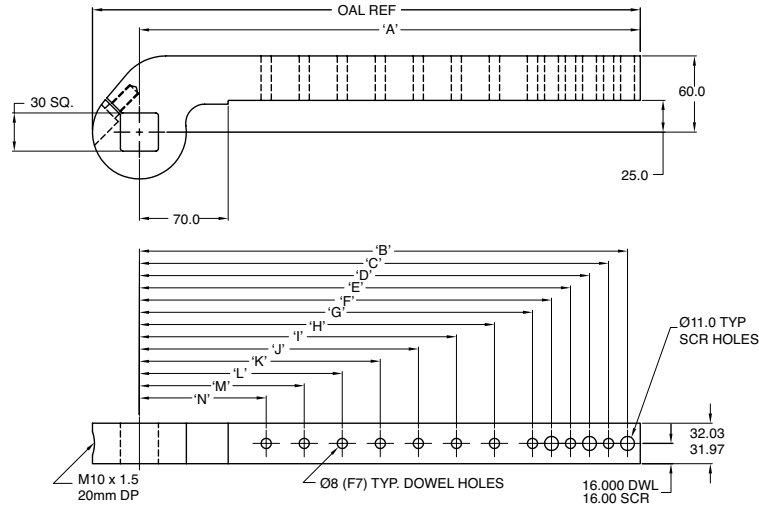


PART NO.	NAAMS CODE	DIM 'A' +1.5/-0	DIM 'B'	DIM 'C'	DIM 'D'	DIM 'E'	DIM 'F'	DIM 'G'	DIM 'H'	DIM 'I'	DIM 'J'	DIM 'K'	DIM 'L'	DIM 'M'	DIM 'N'	OAL (REF)	WEIGHT Kg (lbs)
N110M	ACA110M	155.0	145.00	130.00	115.00	100.00	85.00									192.0	1.9 (4.2)
N111M	ACA111M	185.0	175.00	160.00	145.00	130.00	115.00	100.00								222.0	2.2 (4.8)
N112M	ACA112M	215.0	205.00	190.00	175.00	160.00	145.00	130.00	100.00							252.0	2.5 (5.5)
N113M	ACA113M	245.0	235.00	220.00	205.00	190.00	175.00	160.00	130.00	100.00						282.0	2.8 (6.2)
N114M	ACA114M	275.0	265.00	250.00	235.00	220.00	205.00	190.00	160.00	130.00	100.00					312.0	3.1 (6.8)
N115M	ACA115M	305.0	295.00	280.00	265.00	250.00	235.00	220.00	190.00	160.00	130.00	100.00				342.0	3.4 (7.5)
N116M	ACA116M	335.0	325.00	310.00	295.00	280.00	265.00	250.00	220.00	190.00	160.00	130.00	100.00			372.0	3.8 (8.4)
N117M	ACA117M	365.0	355.00	340.00	325.00	310.00	295.00	280.00	250.00	220.00	190.00	160.00	130.00	100.00		402.0	4.1 (9.0)
N118M	ACA118M	395.0	385.00	370.00	355.00	340.00	325.00	310.00	280.00	250.00	220.00	190.00	160.00	130.00	100.00	432.0	4.4 (9.7)



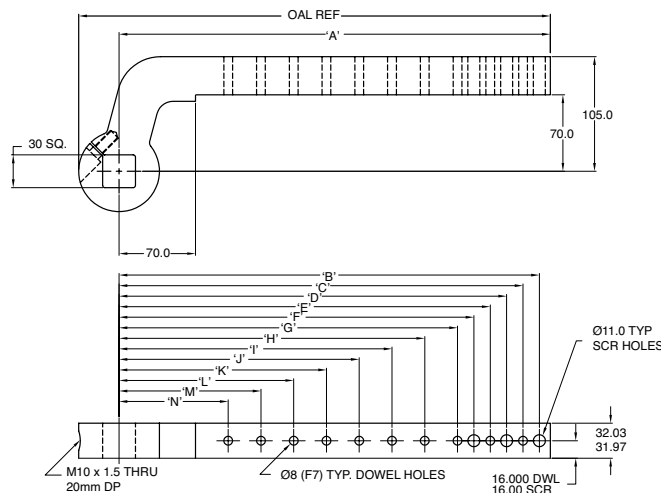
UNP Series Pneumatic Power Clamp

UNP80 - NAAMS Arm - 25mm Offset



PART NO.	NAAMS CODE	DIM 'A' +1.5/-0	DIM 'B'	DIM 'C'	DIM 'D'	DIM 'E'	DIM 'F'	DIM 'G'	DIM 'H'	DIM 'I'	DIM 'J'	DIM 'K'	DIM 'L'	DIM 'M'	DIM 'N'	OAL (REF)	WEIGHT Kg (lbs)
N130M	ACA130M	155.0	145.00	130.00	115.00	100.00	85.00									192.0	2.1 (4.6)
N131M	ACA131M	185.0	175.00	160.00	145.00	130.00	115.00	100.00								222.0	2.3 (5.0)
N132M	ACA132M	215.0	205.00	190.00	175.00	160.00	145.00	130.00	100.00							252.0	2.6 (5.7)
N133M	ACA133M	245.0	235.00	220.00	205.00	190.00	175.00	160.00	130.00	100.00						282.0	2.8 (6.2)
N134M	ACA134M	275.0	265.00	250.00	235.00	220.00	205.00	190.00	160.00	130.00	100.00					312.0	3.1 (6.8)
N135M	ACA135M	305.0	295.00	280.00	265.00	250.00	235.00	220.00	190.00	160.00	130.00	100.00				342.0	3.3 (7.3)
N136M	ACA136M	335.0	325.00	310.00	295.00	280.00	265.00	250.00	220.00	190.00	160.00	130.00	100.00			372.0	3.6 (7.9)
N137M	ACA137M	365.0	355.00	340.00	325.00	310.00	295.00	280.00	250.00	220.00	190.00	160.00	130.00	100.00		402.0	3.8 (8.4)
N138M	ACA138M	395.0	385.00	370.00	355.00	340.00	325.00	310.00	280.00	250.00	220.00	190.00	160.00	130.00	100.00	432.0	4.1 (9.0)

UNP80 - NAAMS Arm - 70mm Offset

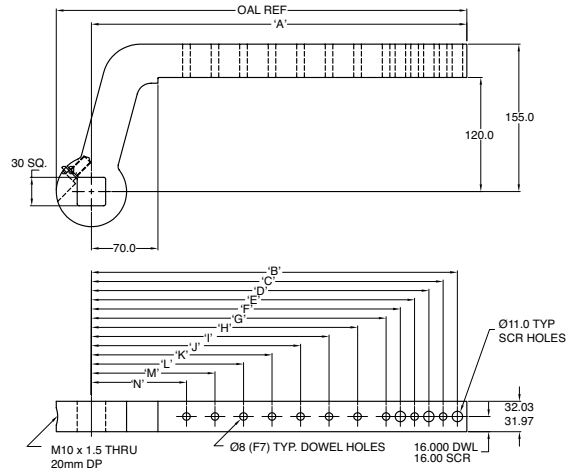


PART NO.	NAAMS CODE	DIM 'A' +1.5/-0	DIM 'B'	DIM 'C'	DIM 'D'	DIM 'E'	DIM 'F'	DIM 'G'	DIM 'H'	DIM 'I'	DIM 'J'	DIM 'K'	DIM 'L'	DIM 'M'	DIM 'N'	OAL (REF)	WEIGHT Kg (lbs)
N150M	ACA150M	155.0	145.00	130.00	115.00	100.00	85.00									192.0	2.4 (5.3)
N151M	ACA151M	185.0	175.00	160.00	145.00	130.00	115.00	100.00								222.0	2.6 (5.7)
N152M	ACA152M	215.0	205.00	190.00	175.00	160.00	145.00	130.00	100.00							252.0	2.9 (6.4)
N153M	ACA153M	245.0	235.00	220.00	205.00	190.00	175.00	160.00	130.00	100.00						282.0	3.1 (6.8)
N154M	ACA154M	275.0	265.00	250.00	235.00	220.00	205.00	190.00	160.00	130.00	100.00					312.0	3.4 (7.5)
N155M	ACA155M	305.0	295.00	280.00	265.00	250.00	235.00	220.00	190.00	160.00	130.00	100.00				342.0	3.6 (7.9)
N156M	ACA156M	335.0	325.00	310.00	295.00	280.00	265.00	250.00	220.00	190.00	160.00	130.00	100.00			372.0	3.9 (8.6)
N157M	ACA157M	365.0	355.00	340.00	325.00	310.00	295.00	280.00	250.00	220.00	190.00	160.00	130.00	100.00		402.0	4.1 (9.0)
N158M	ACA158M	395.0	385.00	370.00	355.00	340.00	325.00	310.00	280.00	250.00	220.00	190.00	160.00	130.00	100.00	432.0	4.4 (9.7)



UNP Series Pneumatic Power Clamp

UNP80 - NAAMS Arm - 120mm Offset



PART NO.	NAAMS CODE	DIM 'A' +1.5/-0	DIM 'B'	DIM 'C'	DIM 'D'	DIM 'E'	DIM 'F'	DIM 'G'	DIM 'H'	DIM 'I'	DIM 'J'	DIM 'K'	DIM 'L'	DIM 'M'	DIM 'N'	OAL (REF)	WEIGHT Kg (lbs)
N170M	ACA170M	155.0	145.00	130.00	115.00	100.00	85.00									192.0	2.8 (6.2)
N171M	ACA171M	185.0	175.00	160.00	145.00	130.00	115.00	100.00								222.0	3.0 (6.6)
N172M	ACA172M	215.0	205.00	190.00	175.00	160.00	145.00	130.00	100.00							252.0	3.3 (7.3)
N173M	ACA173M	245.0	235.00	220.00	205.00	190.00	175.00	160.00	130.00	100.00						282.0	3.5 (7.7)
N174M	ACA174M	275.0	265.00	250.00	235.00	220.00	205.00	190.00	160.00	130.00	100.00					312.0	3.8 (8.4)
N175M	ACA175M	305.0	295.00	280.00	265.00	250.00	235.00	220.00	190.00	160.00	130.00	100.00				342.0	4.0 (8.8)
N176M	ACA176M	335.0	325.00	310.00	295.00	280.00	265.00	250.00	220.00	190.00	160.00	130.00	100.00			372.0	4.3 (9.5)
N177M	ACA177M	365.0	355.00	340.00	325.00	310.00	295.00	280.00	250.00	220.00	190.00	160.00	130.00	100.00		402.0	4.5 (9.9)
N178M	ACA178M	395.0	385.00	370.00	355.00	340.00	325.00	310.00	280.00	250.00	220.00	190.00	160.00	130.00	100.00	432.0	4.8 (10.6)