

Features

- Simple 24 VDC Digital Control (2 in / 2 out) via standard M12 connectors
- Modular electronics for ease of maintainability
- Single or dual cable control option
- Built in "obstruction" detection
- Integral brake maintains arm position any time power is lost
- Mechanical indicator identifies when gripper mechanism is locked
- Powered and unpowered manual override
- Single and Double Moving Jaws
- Single and Double Tips
- Adjustable opening angle
- Linear and rotary motion guided by roller bearings
- Remains locked in closed position even when power is removed

General Specifications

Weight:

LGE140: 2.5 Kg (5.5 lbs)

Operating Temperature: 5° to 40° C (40° to 105°F)

Class Protection: IP65

Opening Angles:

LGE140VB: 15°, 30°,45°, 60°, 75°

LGE140VF: 15°, 30°,45°, 60°, 75°

LGE140VL: 15°, 30°,45°, 60°, 75°, 90°

LGE140OL: 15°, 30°,45°

*see dimensional drawings for more information.

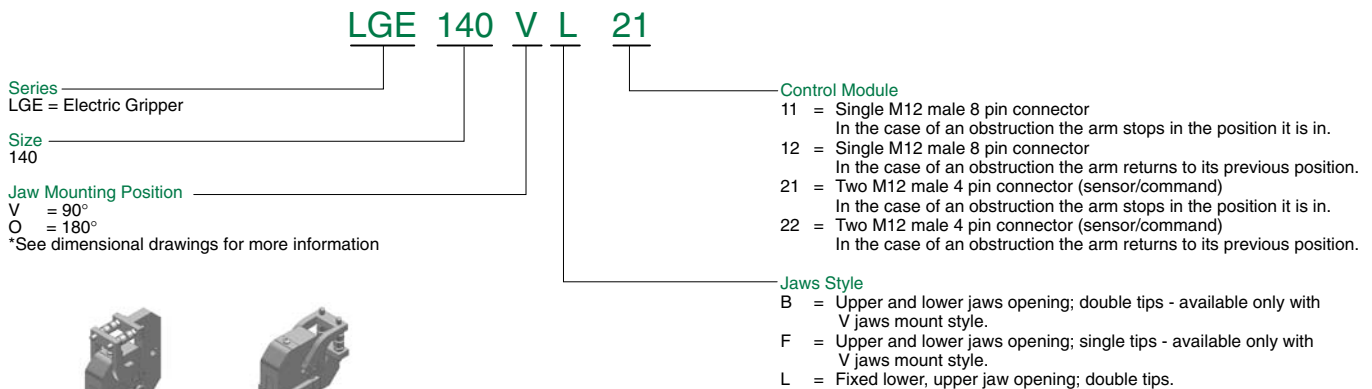
Holding Capacity: 600 Nm (5310 in-lbs)

Maximum Grip Force:

LGE140V: 2333 N (525 lbs)

LGE140O: 1866 N (420 lbs)

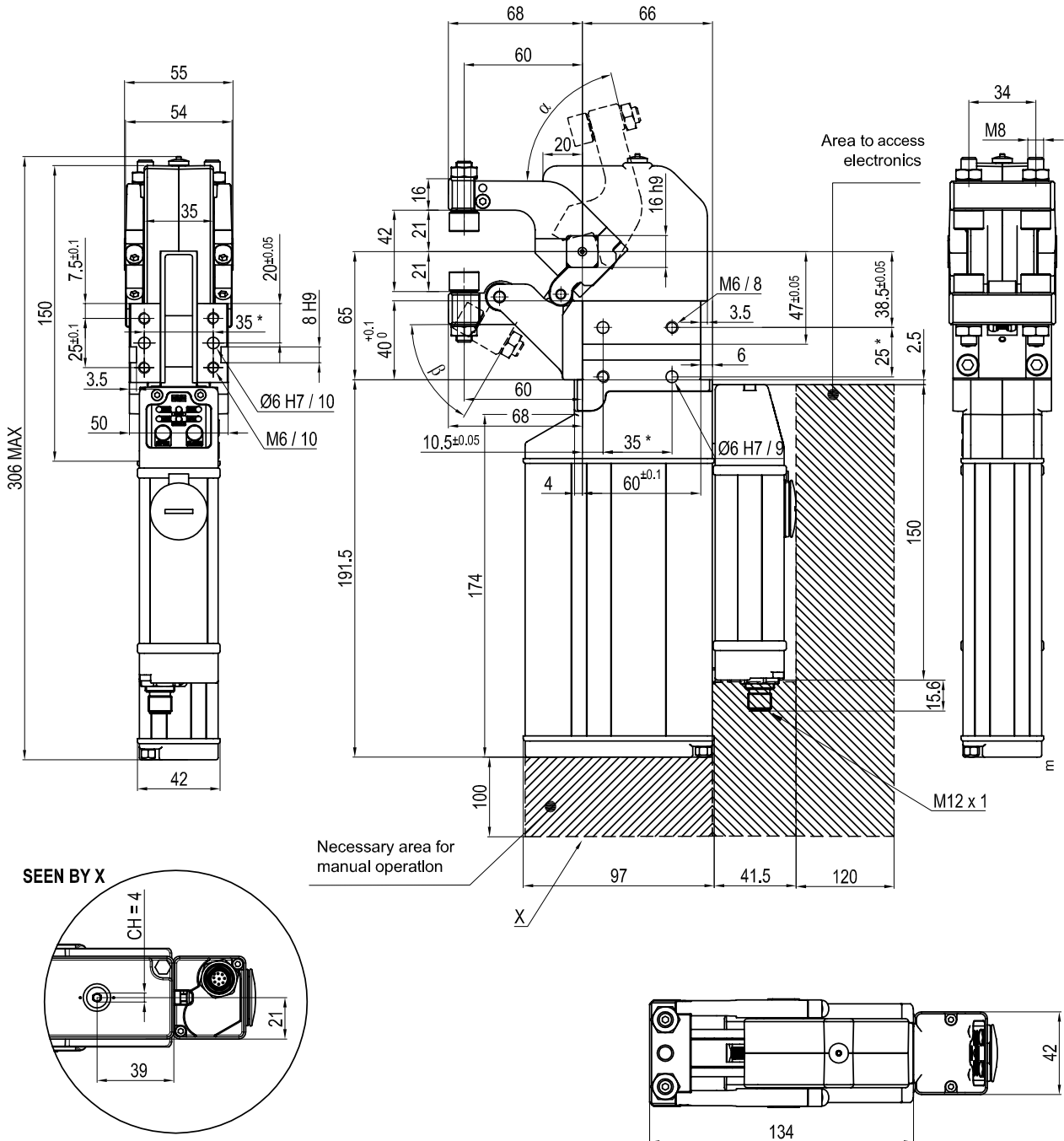
How to Order





LGE Series Electric Gripper

LGE140VB__ Electric Gripper



Opening Angles

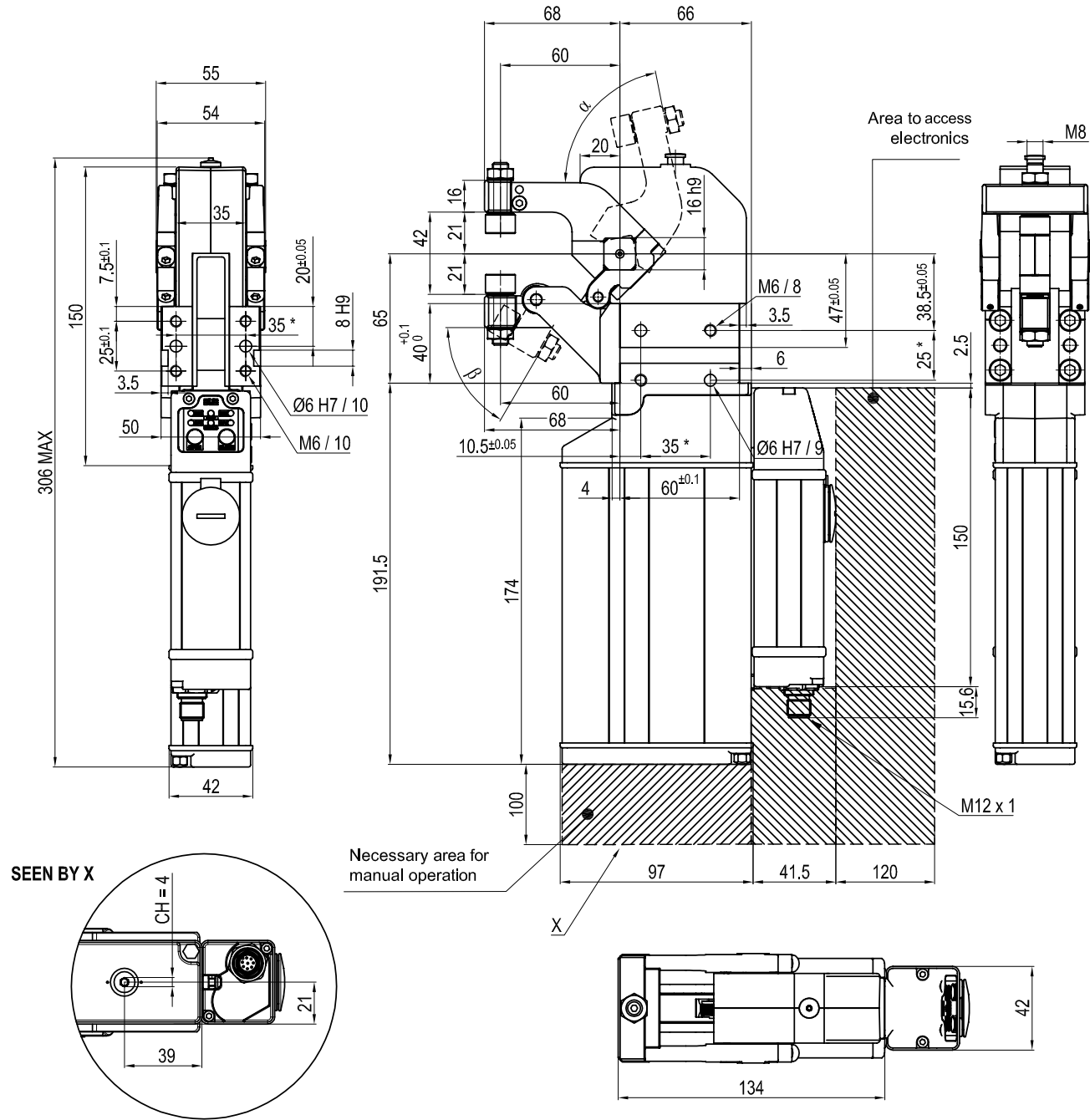
Datum Opening Angle	A Angle	B Angle
15°	15°	3°
30°	30°	14°
45°	45°	29.5°
60°	60°	44°
75°	75°	58°

*: TOLERANCE FOR DOWEL HOLES ± 0.02
FOR SCREW HOLES ± 0.1



LGE Series Electric Gripper

LGE140VF__ Electric Gripper



Opening Angles

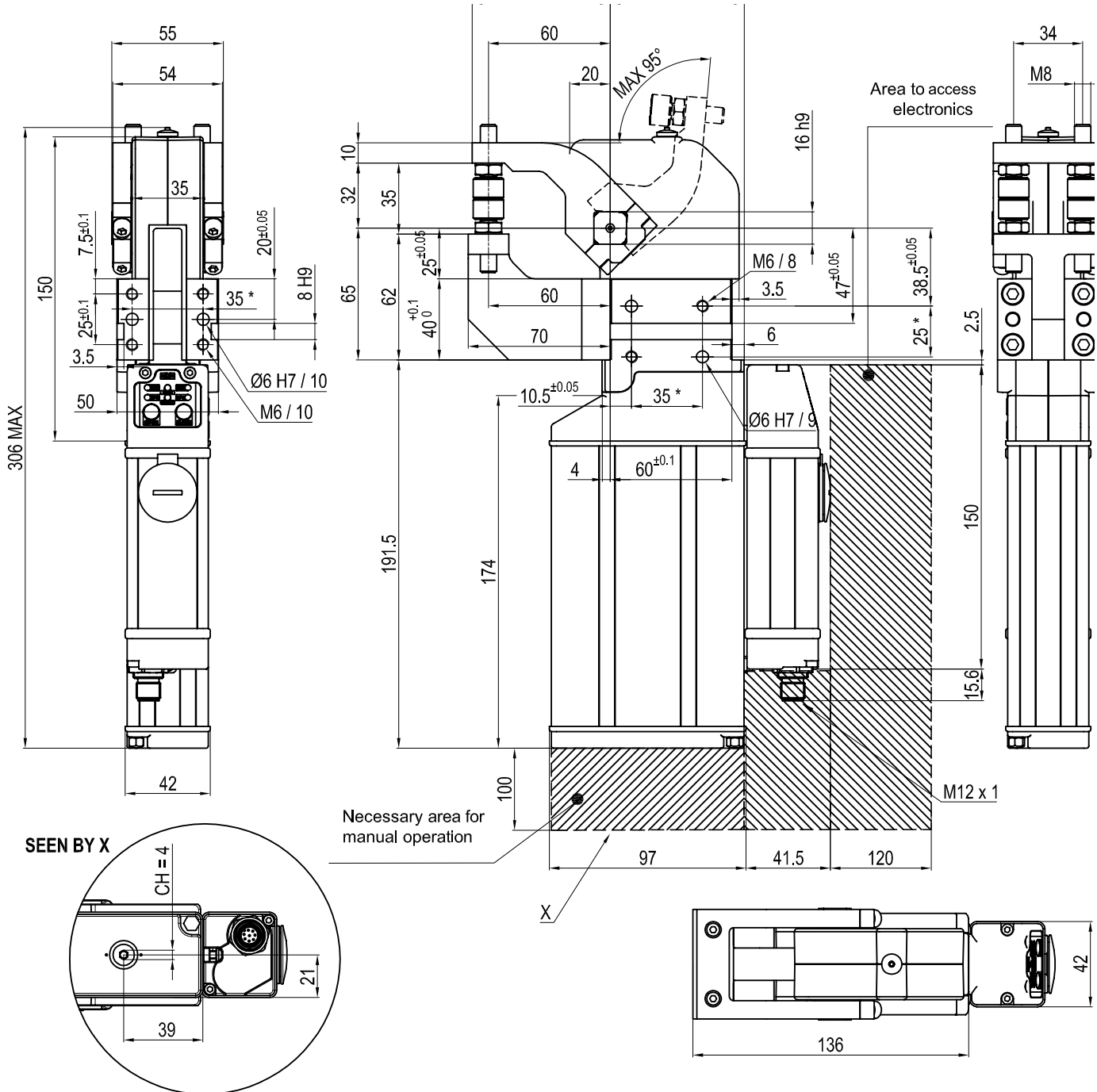
Datum Opening Angle	A Angle	B Angle
15°	15°	3°
30°	30°	14°
45°	45°	29.5°
60°	60°	44°
75°	75°	58°

*: TOLERANCE FOR DOWEL HOLES ± 0.02
FOR SCREW HOLES ± 0.1



LGE Series Electric Gripper

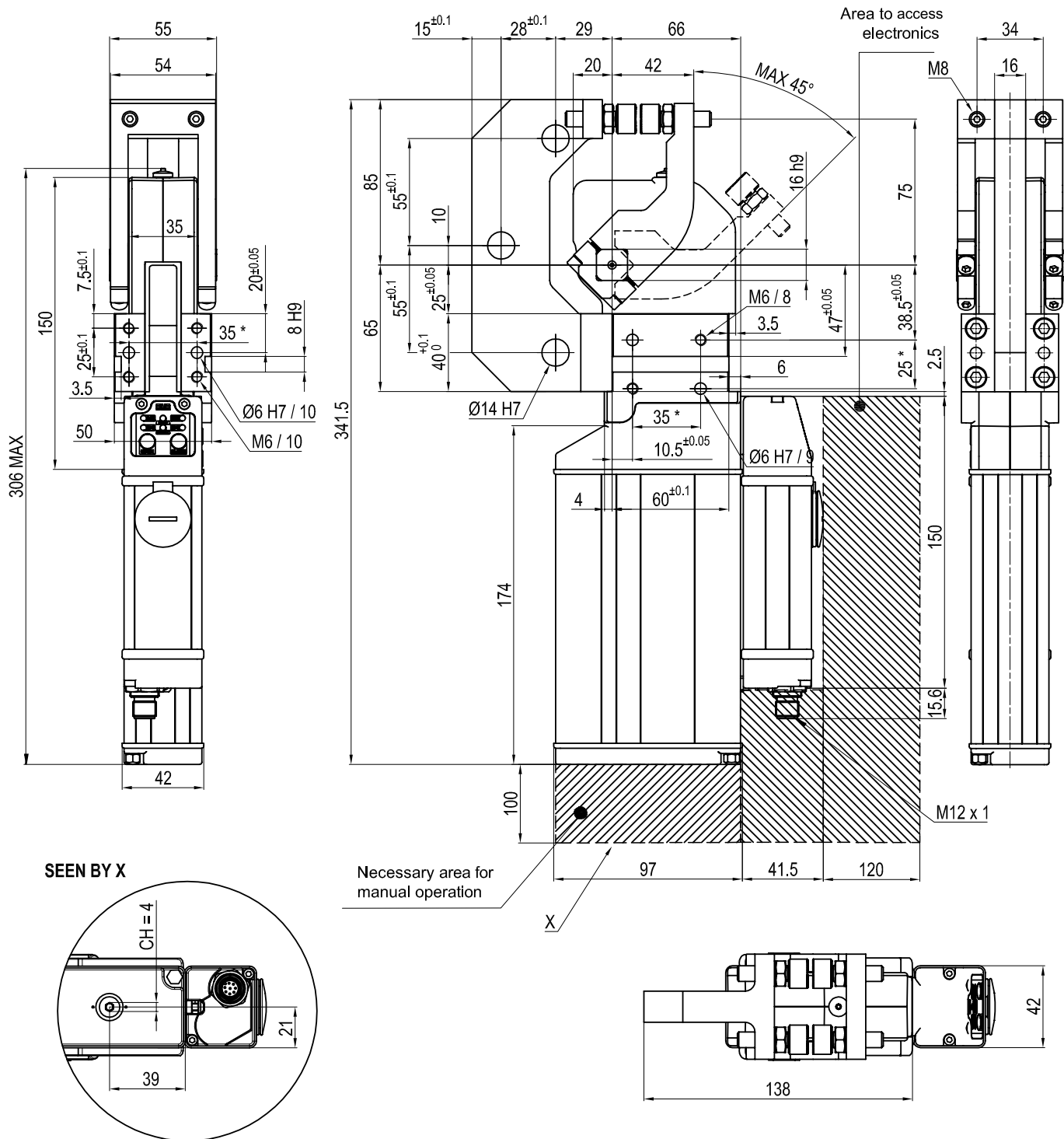
LGE140VL__ Electric Gripper



*: TOLERANCE FOR DOWEL HOLES ± 0.02
FOR SCREW HOLES ± 0.1



LGE1400L__ Electric Gripper



*: TOLERANCE FOR DOWEL HOLES ± 0.02
FOR SCREW HOLES ± 0.1