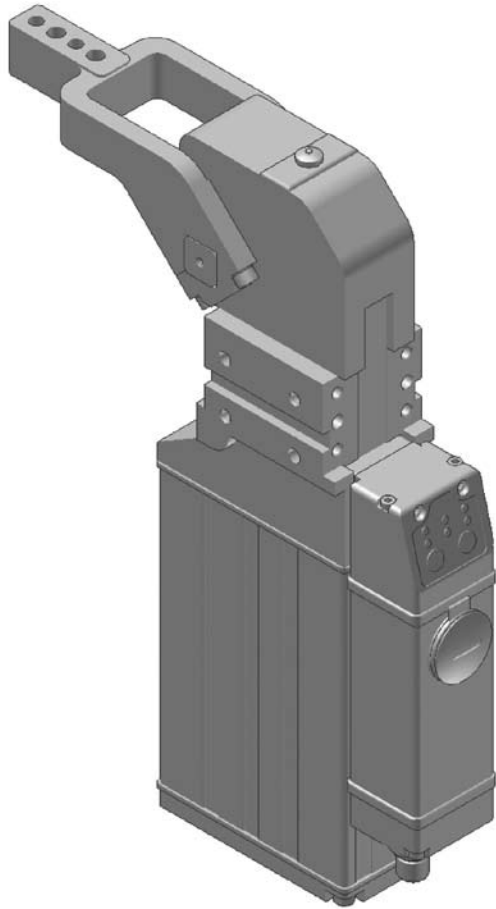




LAE Series Electric Power Clamp



Features

- Simple 24 VDC Digital Control (2 in / 2 out) via standard M12 connectors
- Modular electronics for ease of maintainability
- Single or dual cable control option
- Built in "obstruction" detection
- Integral brake maintains arm position any time power is lost
- Mechanical indicator identifies when clamp mechanism is locked
- Powered and unpowered manual override
- Adjustable opening angle
- Blade and foot mounting
- Unique linkage design ensures positional repeatability
- Linear and rotary motion guided by roller bearings
- Remains locked in closed position even when power is removed

General Specifications

Weight:

LAE140: 2.5 Kg (5.5 lbs)

Operating Temperature: 5° to 40° C (40° to 105°F)

Class Protection: IP65

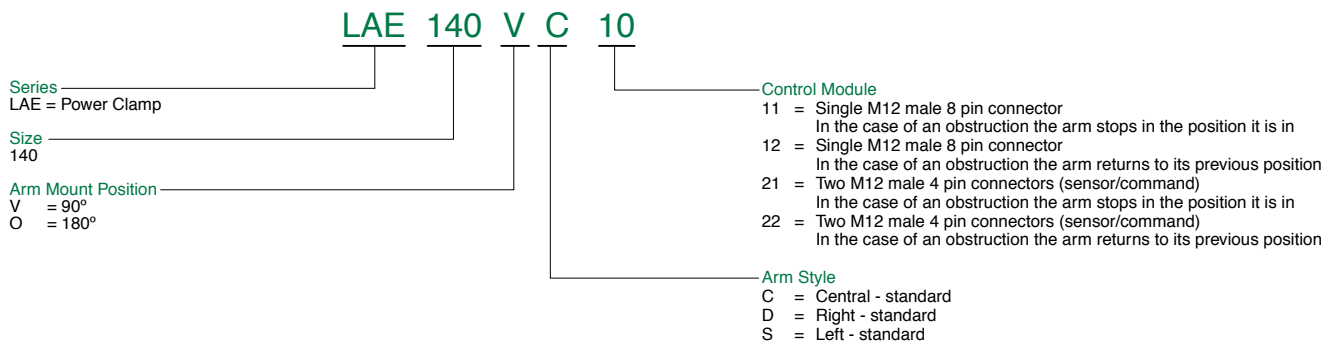
Opening Angles:

15°, 30°, 45°, 60°, 75°, 90°, 105°, 120°

Holding Capacity:

LAE140: 600 Nm (5310 in-lbs)

How to Order



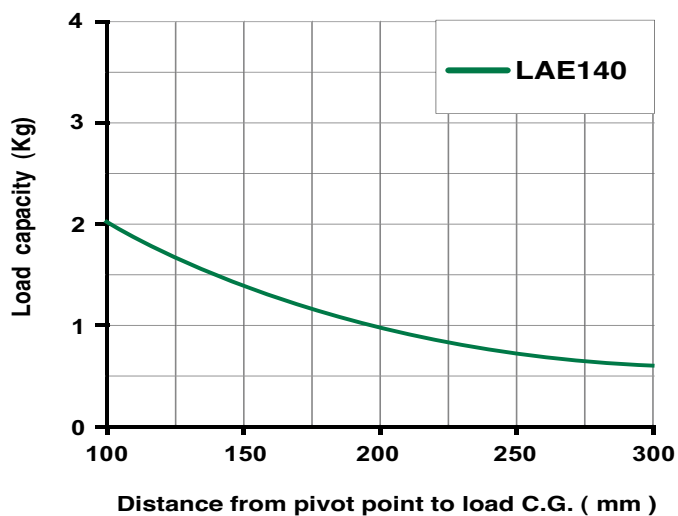
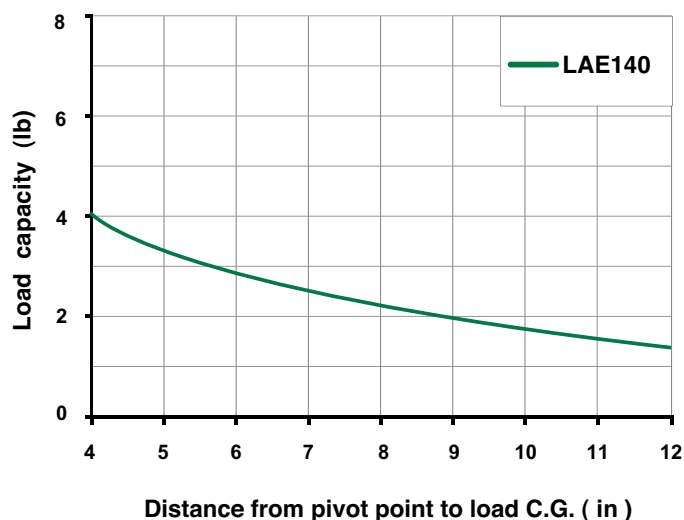


LAE Series Electric Power Clamp

Maximum Applicable Load

English

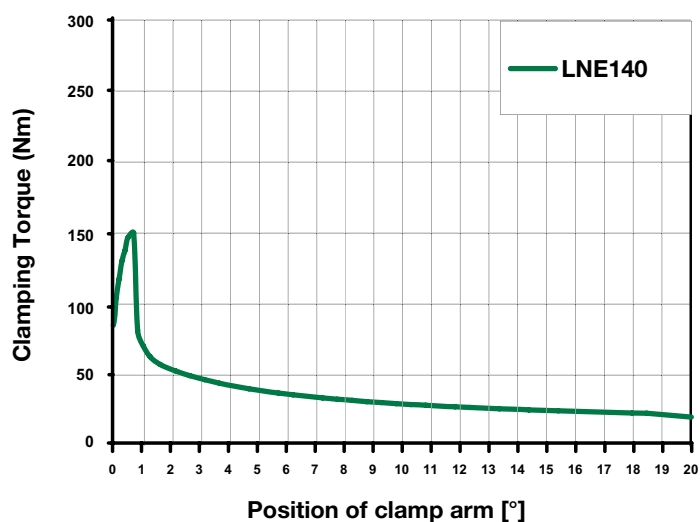
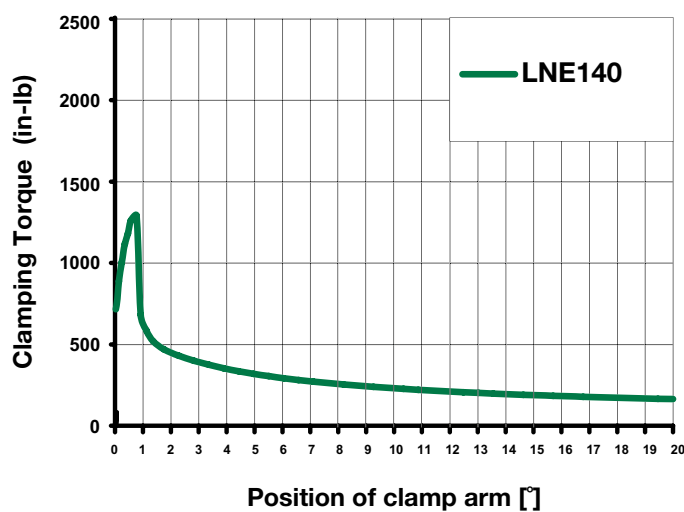
Metric



Maximum Clamping Torque

English

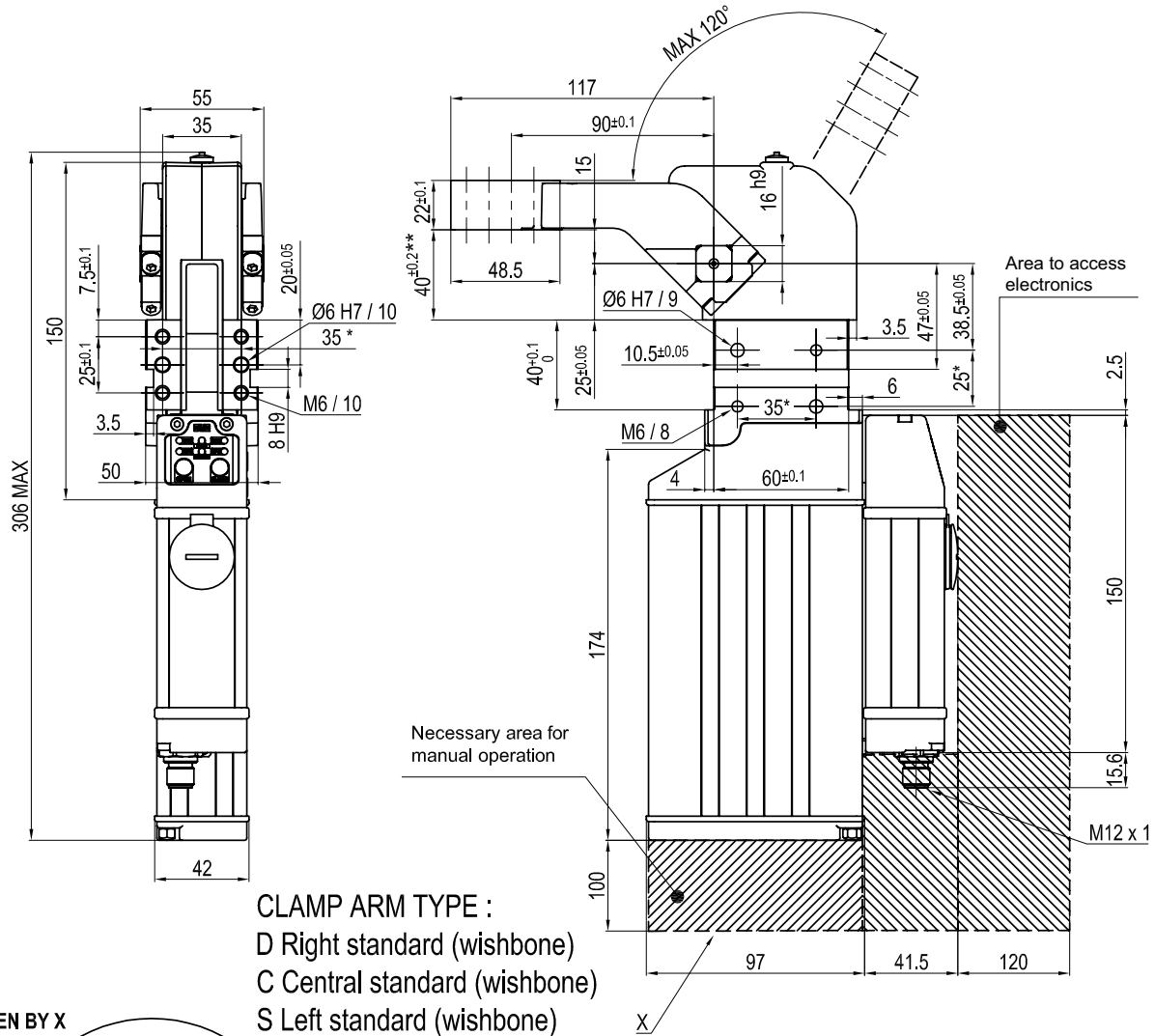
Metric



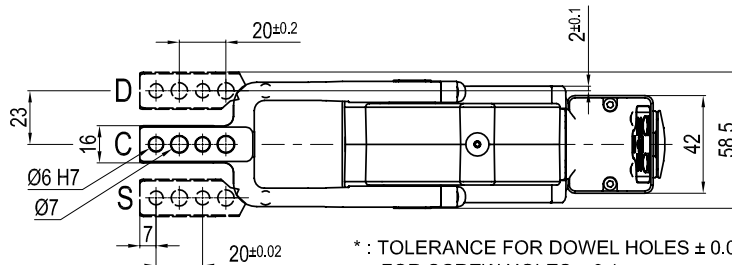
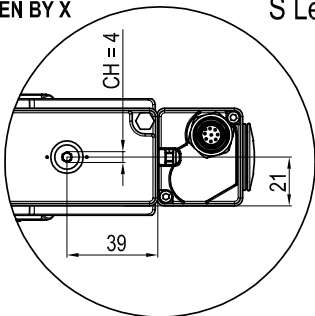


LAE Series Electric Power Clamp

LAE140V__Electric Power Clamp



SEEN BY X



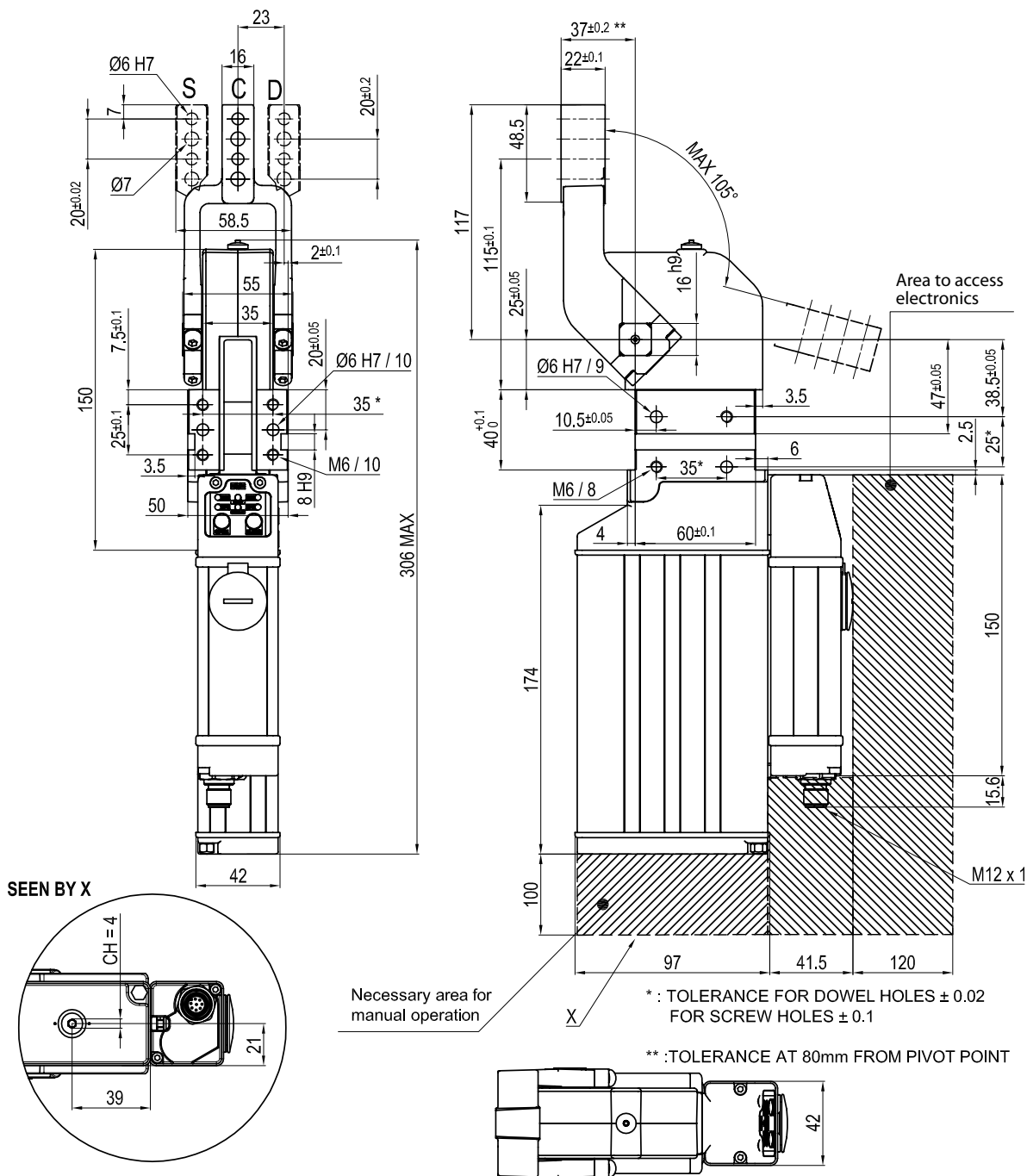
* : TOLERANCE FOR DOWEL HOLES ± 0.02
 FOR SCREW HOLES ± 0.1

** : TOLERANCE AT 80mm FROM PIVOT POINT



LAE Series Electric Power Clamp

LAE1400__Electric Power Clamp



CLAMP ARM TYPE :
 D Right standard (wishbone)
 C Central standard (wishbone)
 S Left standard (wishbone)